

THULE[®]
SWEDEN

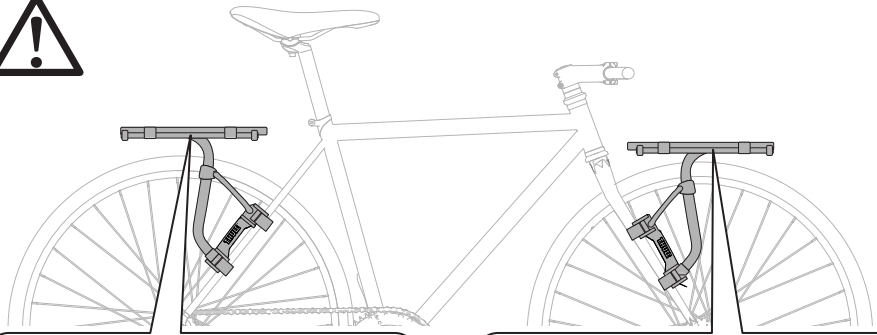
Thule Pack 'n Pedal Tour Rack 100090

> Instructions

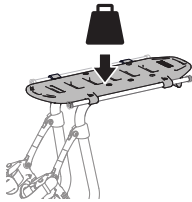


100090 C.20161128
506-7239_01

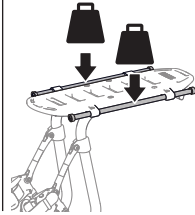
Bring your life
thule.com



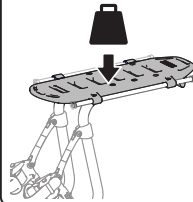
**Max.
25 lbs/11.3 kg**



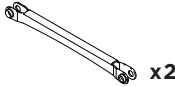
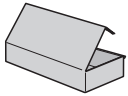
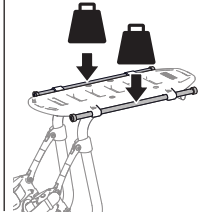
**Max.
15.5 lbs/7 kg**



**Max.
22 lbs/10 kg**



**Max.
13.75 lbs/6.2 kg**



3 mm

x1



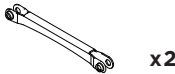
4 mm

x1



5 mm

x1



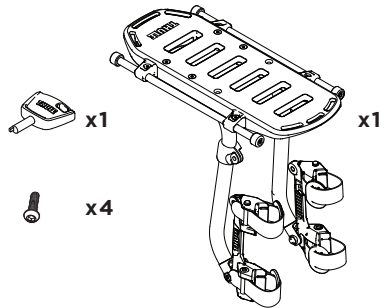
x2



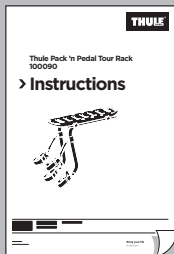
x2



x2

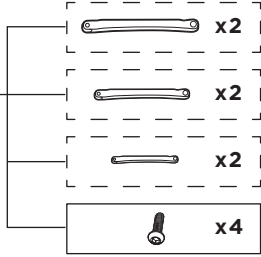


x1

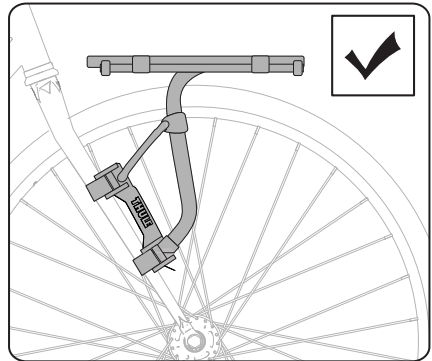
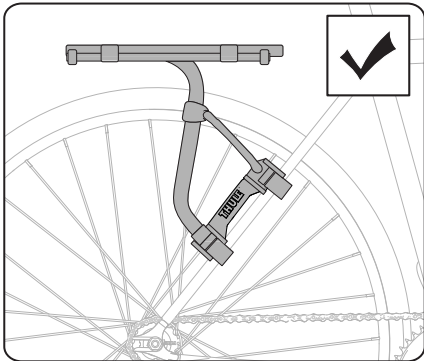
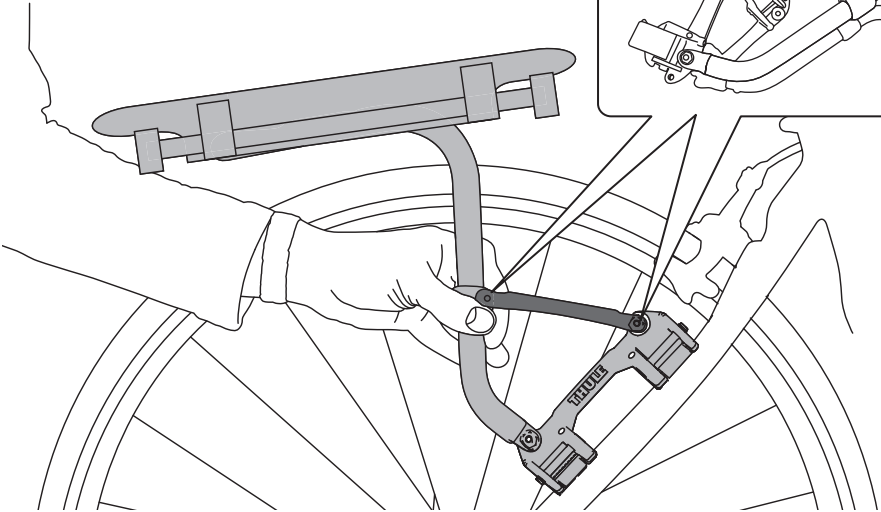
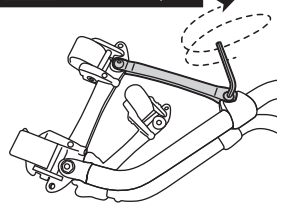


1

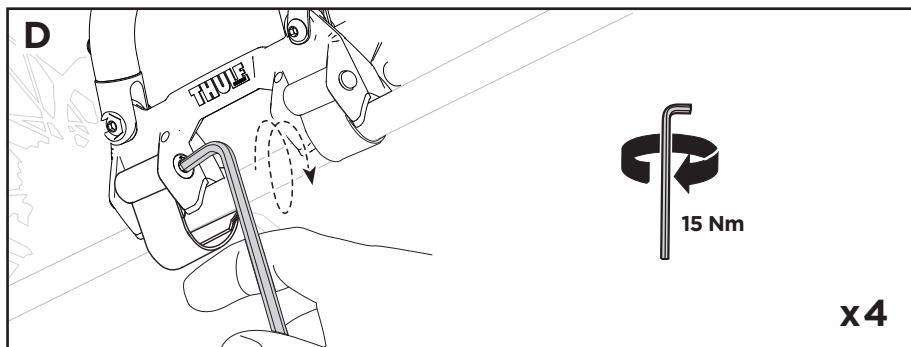
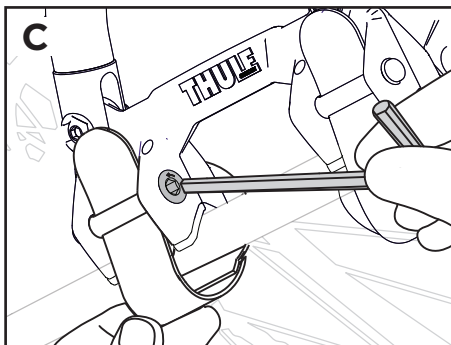
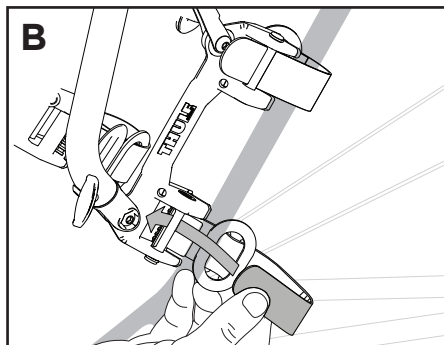
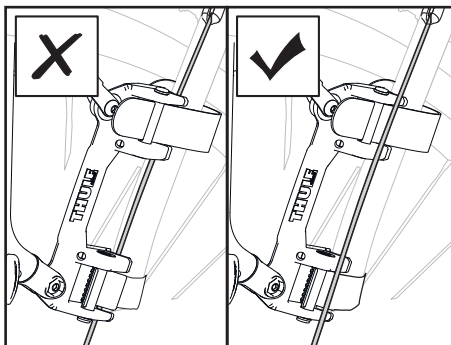
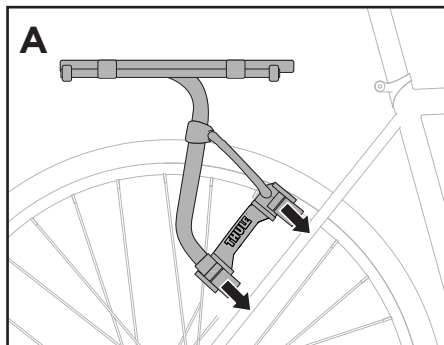
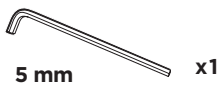
x1
4 mm



i * 3-4

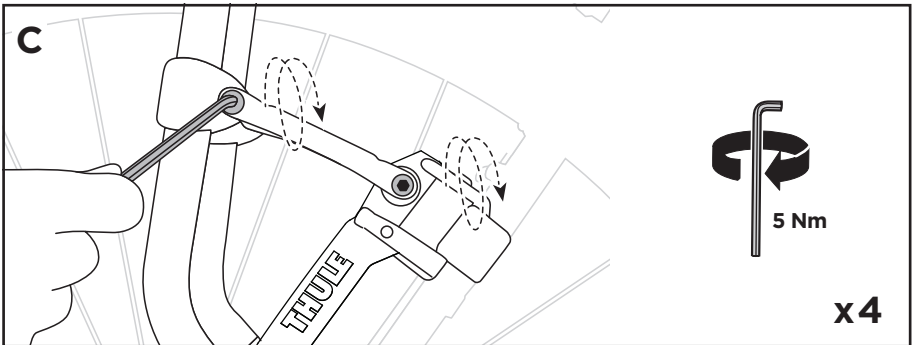
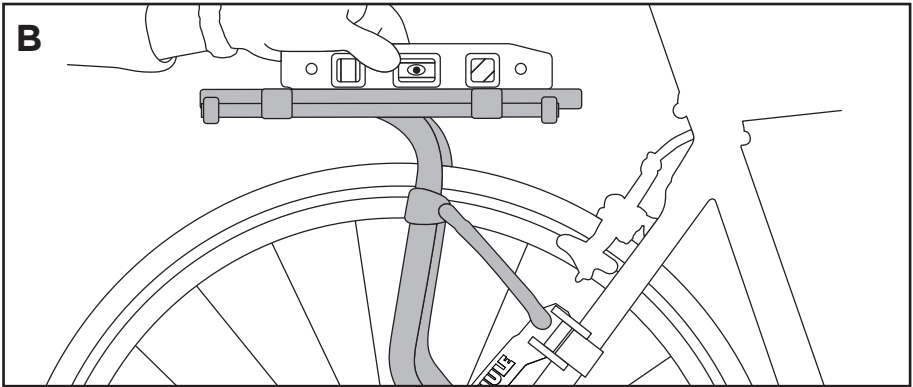
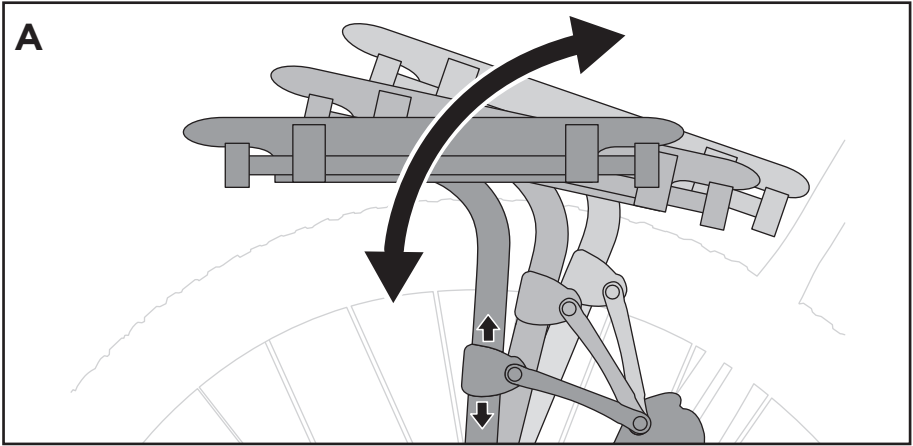


2



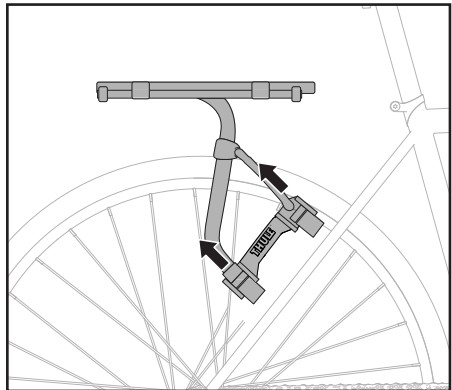
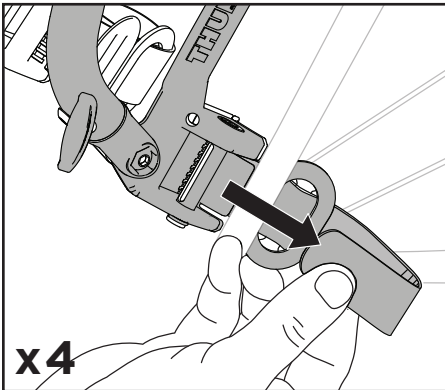
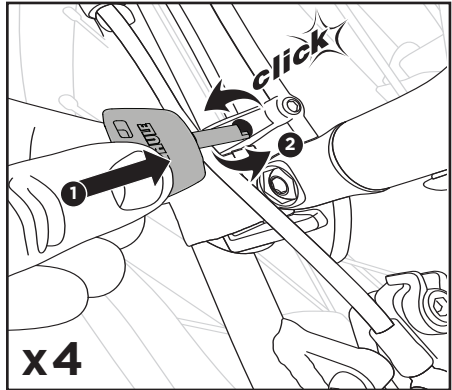
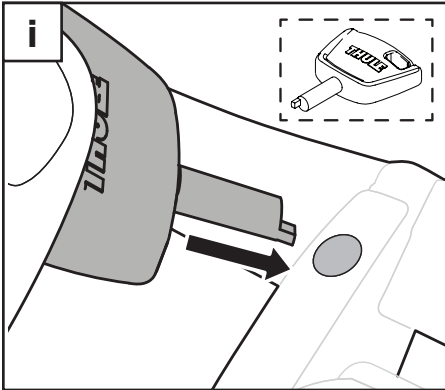
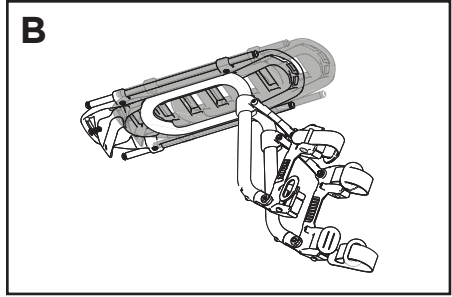
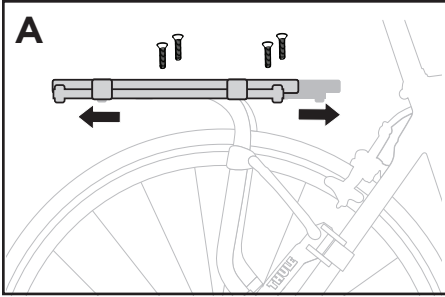
3



4 mm x1



4

3 mm x1



WW ▶  Thule Sweden AB, Box 69, 330 33 Hillerstorp, SWEDEN
NA ▶  Thule Inc., 42 Silvermine Road, Seymour, Connecticut 06483, USA

 info@thule.com
 Phone: 800-238-2388

 www.thule.com

› PART OF THULE GROUP

© Thule Group 2015. All rights reserved.

506-7239_01