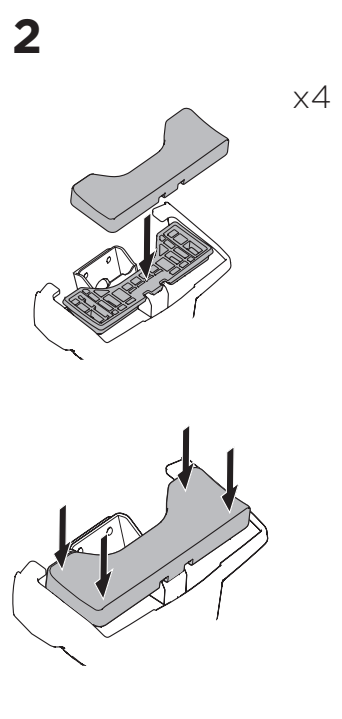
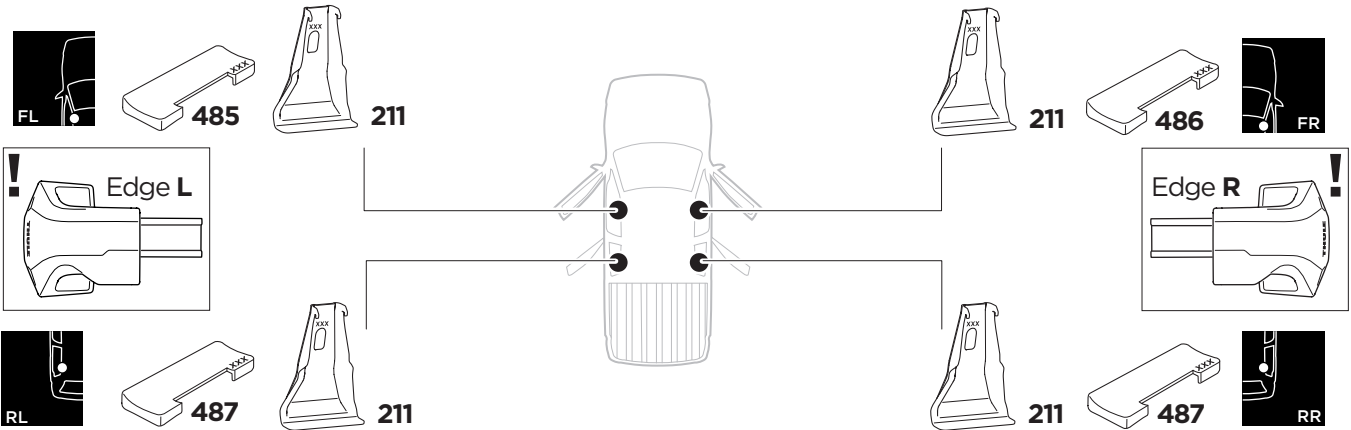
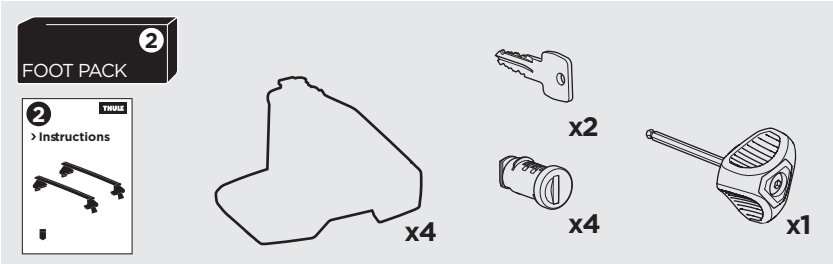
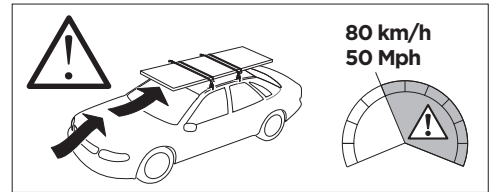
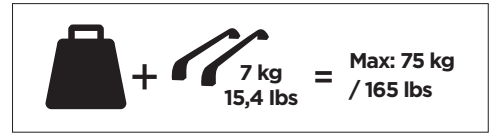
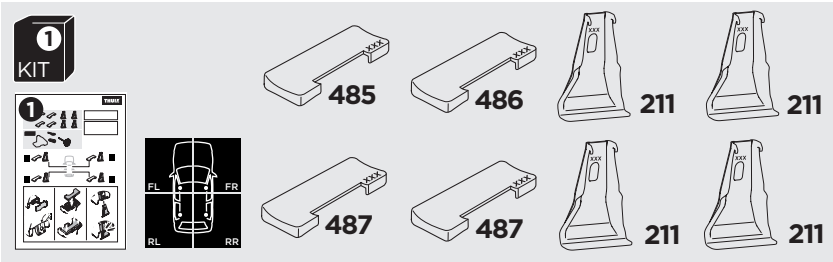


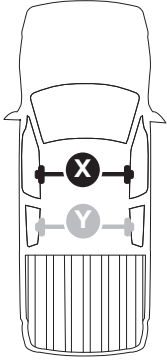
1

Kit 145063

FORD Ranger, 4-dr Double Cab, 11-
 FORD Ranger, 4-dr Super Cab, 11-
 FORD Ranger Raptor, 4-dr Double Cab, 20-
 MAZDA BT-50, 4-dr Double Cab, 12-
 MAZDA BT-50, 2-dr Single Cab, 12-

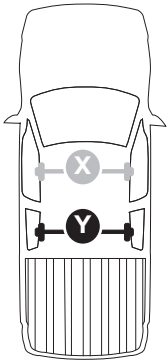
ISO 11154-E





THULE WingBar Evo	THULE WingBar Edge	THULE WingBar	THULE SquareBar Evo	Evo X (scale)	Edge X (scale)
FORD Ranger, 4-dr Double Cab, 11-				47	C
FORD Ranger, 4-dr Super Cab, 11-				47	C
FORD Ranger Raptor, 4-dr Double Cab, 20-				47	C
MAZDA BT-50, 4-dr Double Cab Cab, 12-				47	C
MAZDA BT-50, 2-dr Single Cab Cab, 12-				47	C

THULE ProBar Evo	THULE SlideBar Evo	X (mm/inch)
FORD Ranger, 4-dr Double Cab, 11-		1121 mm / 44 1/8"
FORD Ranger, 4-dr Super Cab, 11-		1121 mm / 44 1/8"
FORD Ranger Raptor, 4-dr Double Cab, 20-		1121 mm / 44 1/8"
MAZDA BT-50, 4-dr Double Cab Cab, 12-		1121 mm / 44 1/8"
MAZDA BT-50, 2-dr Single Cab Cab, 12-		1121 mm / 44 1/8"



THULE WingBar Evo	THULE WingBar Edge	THULE WingBar	THULE SquareBar Evo	Evo Y (scale)	Edge Y (scale)
FORD Ranger, 4-dr Double Cab, 11-				45	G
FORD Ranger, 4-dr Super Cab, 11-				44,5	H
FORD Ranger Raptor, 4-dr Double Cab, 20-				45	G
MAZDA BT-50, 4-dr Double Cab, 12-				44,5	H
MAZDA BT-50, 2-dr Single Cab, 12-				-	-

THULE ProBar Evo	THULE SlideBar Evo	Y (mm/inch)
FORD Ranger, 4-dr Double Cab, 11-		1101 mm / 43 3/8"
FORD Ranger, 4-dr Super Cab, 11-		1096 mm / 43 1/8"
FORD Ranger Raptor, 4-dr Double Cab, 20-		1101 mm / 43 3/8"
MAZDA BT-50, 4-dr Double Cab, 12-		1096 mm / 43 1/8"
MAZDA BT-50, 2-dr Single Cab, 12-		-

	W (mm/inch)	Z (mm/inch)
FORD Ranger, 4-dr Double Cab, 11-	700 mm / 27 1/2"	235 mm / 9 1/4"
FORD Ranger, 4-dr Super Cab, 11-	600 mm / 23 5/8"	185 mm / 7 1/4"
FORD Ranger Raptor, 4-dr Double Cab, 20-	700 mm / 27 1/2"	235 mm / 9 1/4"
MAZDA BT-50, 4-dr Double Cab, 12-	600 mm / 23 5/8"	185 mm / 7 1/4"
MAZDA BT-50, 2-dr Single Cab, 12-	-	185 mm / 7 1/4"

