

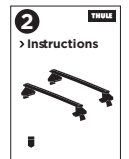
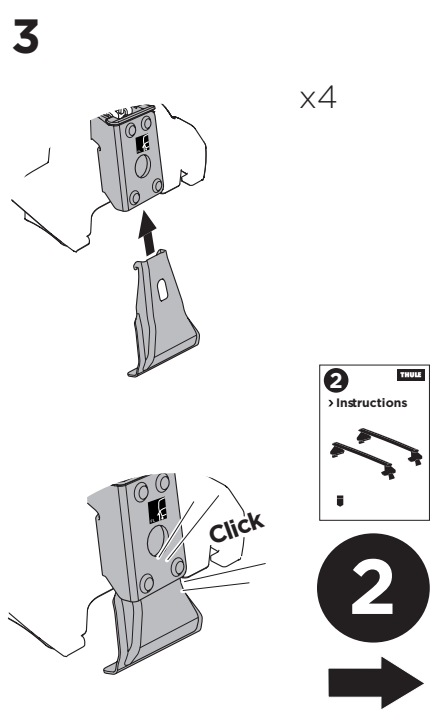
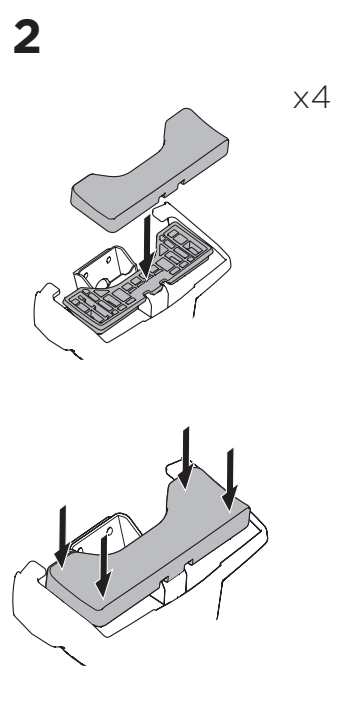
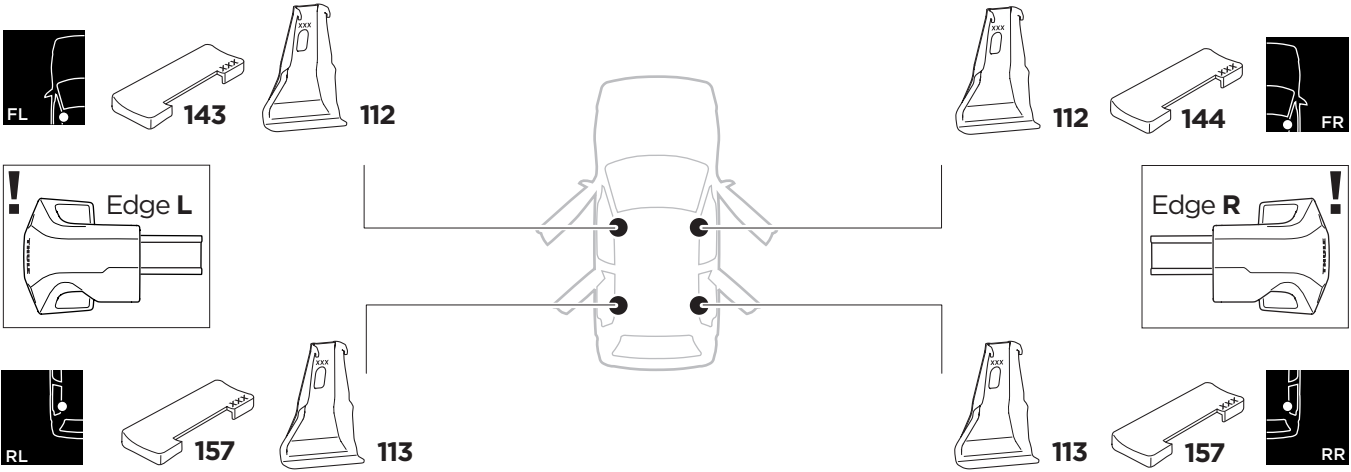
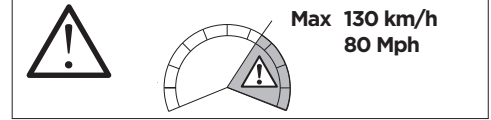
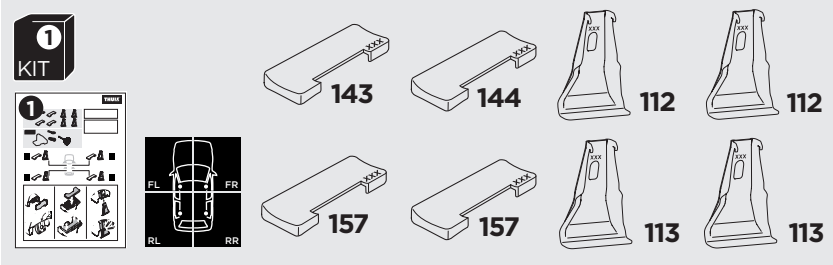
# 1

## Kit 145033

FORD Mondeo (Mk. V), 5-dr Estate, 15-



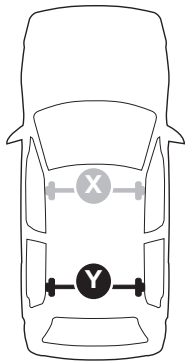
ISO 11154-E





THULE WingBar Evo	THULE WingBar Edge	THULE WingBar	THULE SquareBar Evo	<b>Evo X (scale)</b>	<b>Edge X (scale)</b>
<b>FORD Mondeo (Mk. V), 5-dr ESTATE, 15-</b>				<b>48,5</b>	<b>R</b>

THULE ProBar Evo	THULE SlideBar Evo	<b>X (mm/inch)</b>		
<b>FORD Mondeo (Mk. V), 5-dr ESTATE, 15-</b>		<b>1136 mm / 44 3/4"</b>		



THULE WingBar Evo	THULE WingBar Edge	THULE WingBar	THULE SquareBar Evo	<b>Evo Y (scale)</b>	<b>Edge Y (scale)</b>
<b>FORD Mondeo (Mk. V), 5-dr ESTATE, 15-</b>				<b>39,5</b>	<b>R</b>

THULE ProBar Evo	THULE SlideBar Evo	<b>Y (mm/inch)</b>		
<b>FORD Mondeo (Mk. V), 5-dr ESTATE, 15-</b>		<b>1046 mm / 41 1/8"</b>		

	<b>W (mm/inch)</b>	<b>Z (mm/inch)</b>
<b>FORD Mondeo (Mk. V), 5-dr ESTATE, 15-</b>	<b>770 mm / 30 3/8"</b>	<b>235 mm / 9 1/4"</b>

