

# 1

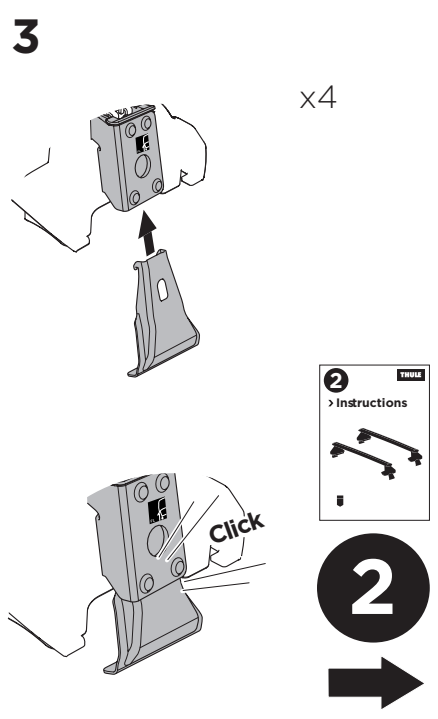
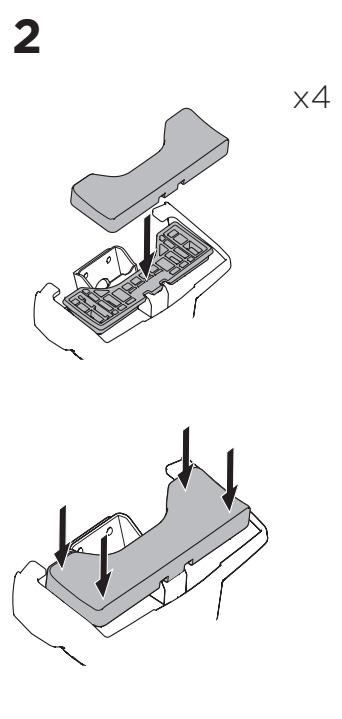
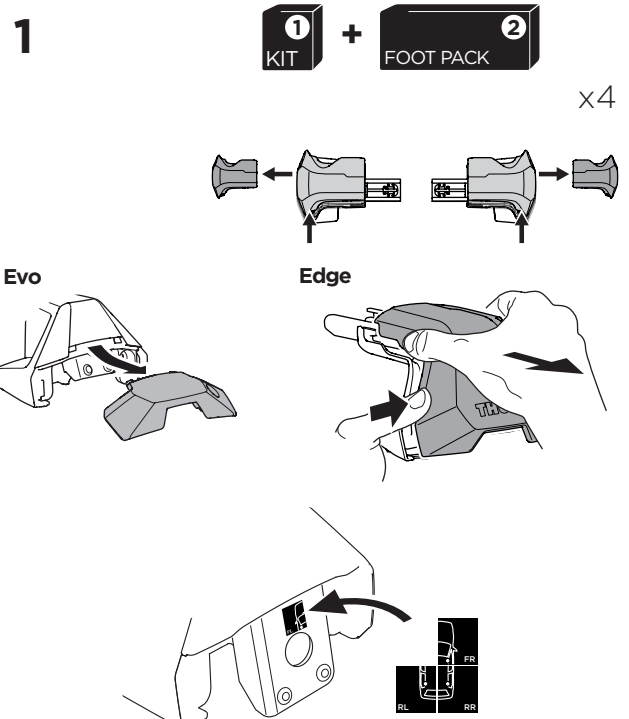
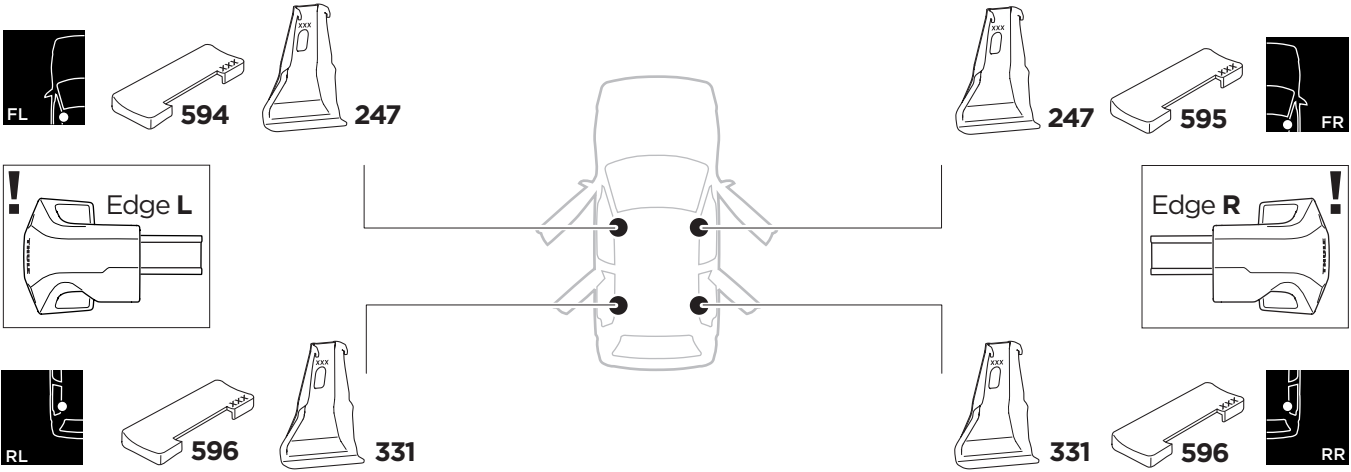
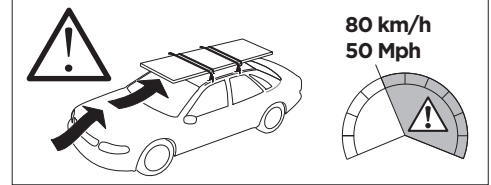
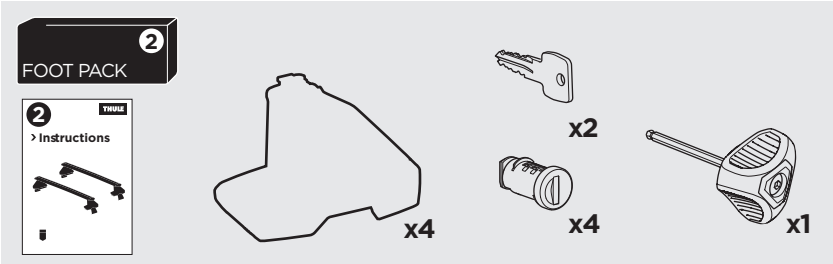
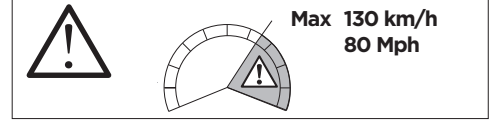
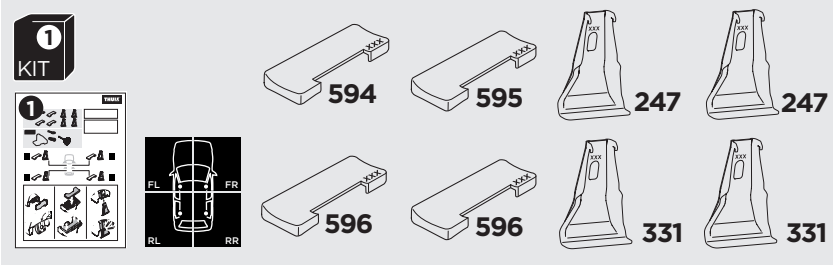
## Kit 145131

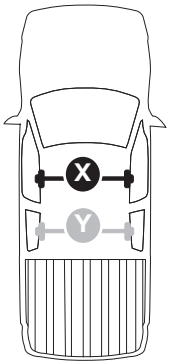
MITSUBISHI L200, 4-dr Double Cab, 05-15

MITSUBISHI Triton, 4-dr Double Cab, 05-15



ISO 11154-E

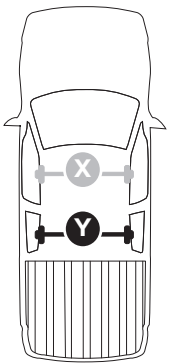




THULE WingBar Evo	THULE WingBar Edge	THULE WingBar	THULE SquareBar Evo	Evo X (scale)	Edge X (scale)
MITSUBISHI L200, 4-dr Double Cab, 05-15				40,5	P
MITSUBISHI Triton, 4-dr Double Cab, 05-15				40,5	P

THULE ProBar Evo	THULE SlideBar Evo	X (mm/inch)
MITSUBISHI L200, 4-dr Double Cab, 05-15		1056 mm / 41 5/8"
MITSUBISHI Triton, 4-dr Double Cab, 05-15		1056 mm / 41 5/8"



THULE WingBar Evo	THULE WingBar Edge	THULE WingBar	THULE SquareBar Evo	Evo Y (scale)	Edge Y (scale)
MITSUBISHI L200, 4-dr Double Cab, 05-15				33,5	L
MITSUBISHI Triton, 4-dr Double Cab, 05-15				33,5	L

THULE ProBar Evo	THULE SlideBar Evo	Y (mm/inch)
MITSUBISHI L200, 4-dr Double Cab, 05-15		986 mm / 38 7/8"
MITSUBISHI Triton, 4-dr Double Cab, 05-15		986 mm / 38 7/8"

	W (mm/inch)	Z (mm/inch)
MITSUBISHI L200, 4-dr Double Cab, 05-15	800 mm / 31 1/2"	350 mm / 13 3/4"
MITSUBISHI Triton, 4-dr Double Cab, 05-15	800 mm / 31 1/2"	350 mm / 13 3/4"

